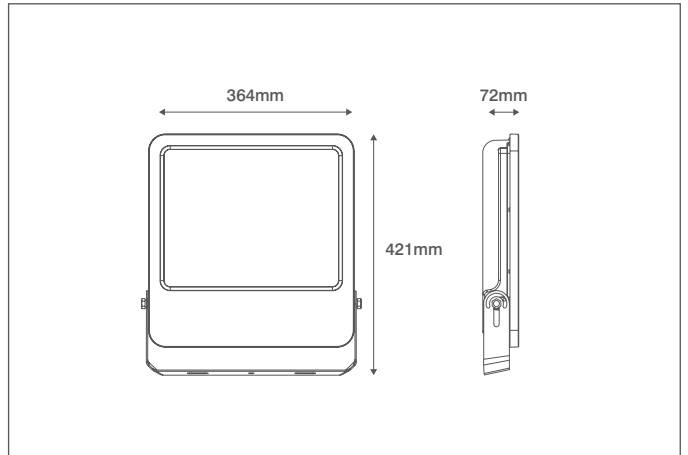


# PATHFINDER

## Technical Specification

Product Code: OV101200BKCW

Description: 200W LED Floodlight IP65 CW Black

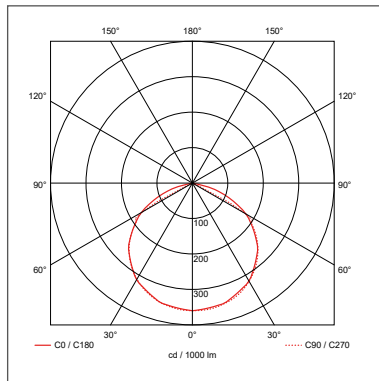


### General Information

Dimensions (mm)	364 (W) x 72 (D) x 421 (H)
Materials	Body: Powdercoated Aluminium; Diffuser: Prismatic Glass
Finish	Black (RAL 9004)
Product Weight (Kg)	5.2
Ingress Protection	IP65
Impact Rating (IK)	07
Warranty (Years)	3

### Supply & Power Information

Input Voltage & Frequency (V~ / Hz)	220-240 50/60
Safety Class	I
Circuit Wattage (W)	200
Input Current (mA)	46
Inrush Current/Time	0.5825A (74µs)
Power Factor	0.9
Operating Temperature (°C)	-20 to +45
Critical Temperature (°C)	+70
Input Mains Cable	3 x 1mm <sup>2</sup> H05RN-F (1 Metre)



### Luminaire Output

Colour Temperature (K)	4000
Colour Render Index (CRI)	>80
Typical Luminous Flux (lm)	20000
Efficacy (lm/W)	100
Beam Angle (°)	110
LED Lifetime (L70) (Hours)	30000

### Dimming Information

Dimmable	No
----------	----



OVIA Limited, Scolmore House, Mariner, Lichfield Road Industrial Estate,  
 Tamworth, Staffordshire, B79 7UL United Kingdom  
**T:** +44 (0)1827 300640  
**E:** sales@oviaUK.com | **W:** oviaUK.com

